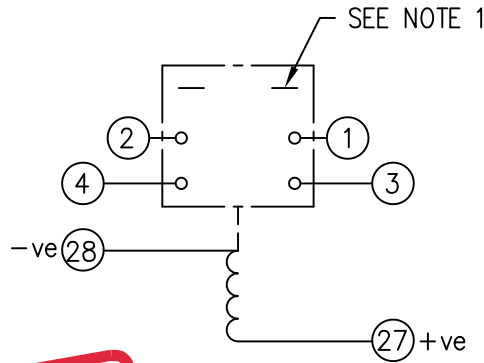


LOOKING ON FRONT OF RELAY



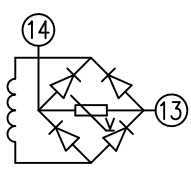
NOT SUBJECT TO UPDATE
ONCE COPIED / PRINTED
OR DOWNLOADED

NOTE:
1. THE TWO UPPER BLADES SHOWN ARE FOR RELAY CONTROL ONLY AND MUST NOT BE WIRED OUT.

KEY	
	make contact
	break contact
	c/o contact
	ext. conn
	plug bridge - shorting
	metering point
	5Kv barrier
	test socket - shorting
	plug & socket

CONTACT CONFIG.	OUTPUT CONTACT PAIR / TERMINAL No.					
	1-3	2-4	5-7	6-8	9-11	10-12
2M	M	M	/	/	/	/
1M 1B	M	B	/	/	/	/
2B	B	B	/	/	/	/

NOTE: WHEN RECTIFIER IS SPECIFIED COIL CONNS. ARE AS SHOWN.



FRAME REFERENCE: E2FAQQ.
FRAME TERMINAL BLOCK ASSY: -
 ASSEMBLY INSTRUCTIONS: -
 TYPICAL ASSEMBLY DRAWING 2995G10032.
 AT INDICATED POSITIONS FIT AS FOLLOWS:
 T - FIT TRIP ISOLATION CONTACT 2995B10053
 S - FIT STANDARD CONTACT 2995B10054
 SECURE CONTACTS USING FIXING SCREW 2109F99009.
 POSITIONS SHOWN BLANK ARE UNUSED

2	T	T	1
4	T	T	3
6			5
8			7
10			9
12			11
14			13
16			15
18			17
20			19
22			21
24			23
26			25
28	S	S	27

VIEW FROM NUMBERED SIDE OF BLOCK

OUTER TERMINAL BLOCK ASSY: -
 ASSEMBLY INSTRUCTIONS: -
 TYPICAL ASSEMBLY DRAWING 2995G10029.
 AT INDICATED POSITIONS FIT AS FOLLOWS:
 S - FIT STANDARD CONTACT 2995B10051
 HC - FIT 'HEAVY CURRENT' KIT 2995G10030
 WHERE IS SHOWN FIT CT SHORTING KIT 2995G10031
 POSITIONS SHOWN BLANK ARE UNUSED.
 ALL POSITIONS FIT SCREW 2106F12506.

2	S	S	1
4	S	S	3
6			5
8			7
10			9
12			11
14			13
16			15
18			17
20			19
22			21
24			23
26			25
28			27

VIEW FROM INSIDE FACE

2 RDW 1	12/07/10 29/04/99	MN112/3302	Title: T.B. AND W.D. FOR MR101/MR111 2 CONT. RELAYS IN EPSILON E2 CASE.	First used on:
				Similar Articles:
ISSUE	DATE	MOD.No.	Reyrolle Protection Hebburn.	Supersedes:
DRAWN: A.LAW.	CHECKED:	APPROVED: R.D.WATSON		DATE: 17/07/02
			Drg.No. 2112W50101	
			Copyright © 1999 Reyrolle Ltd	